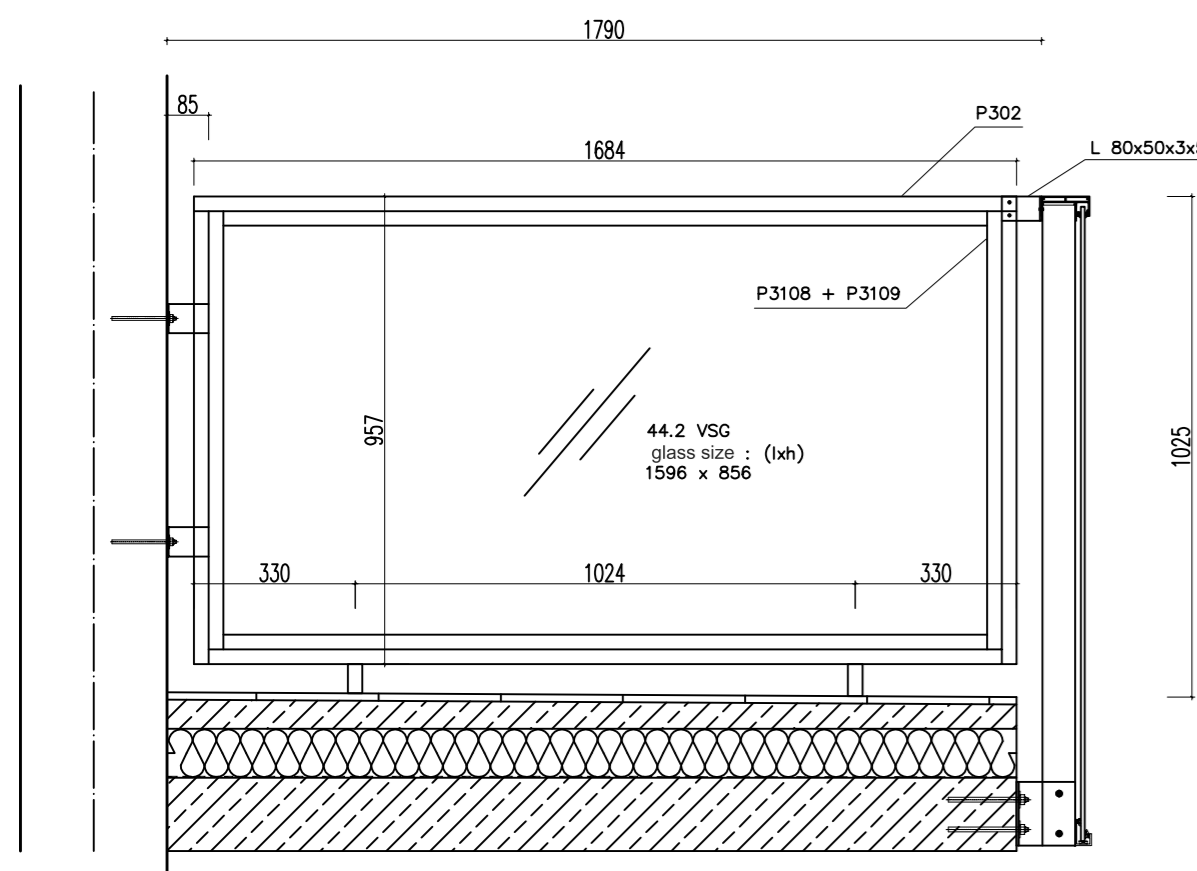
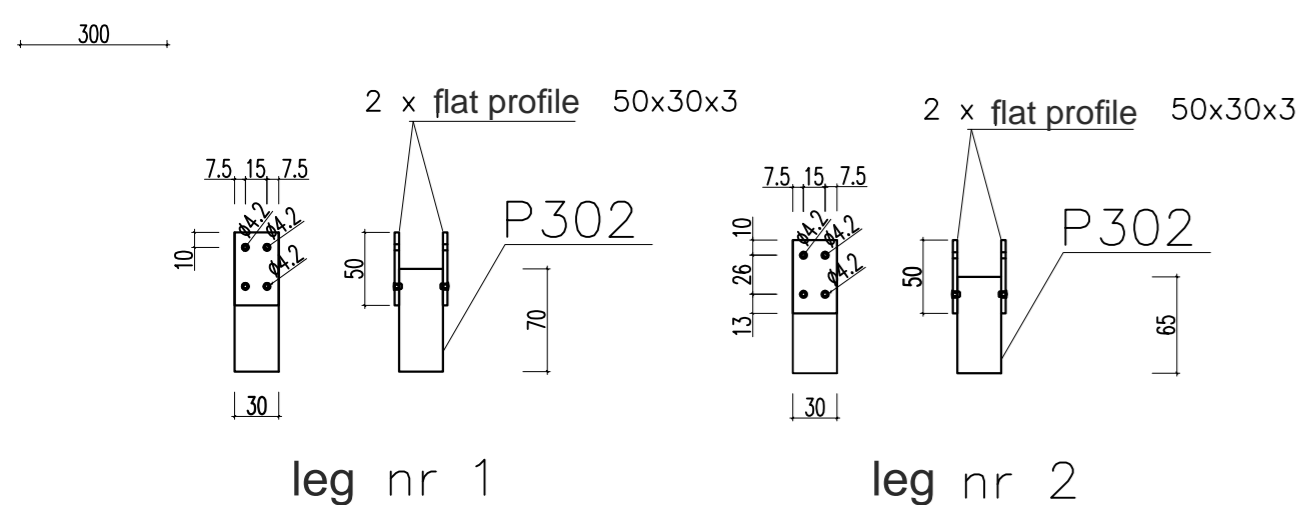


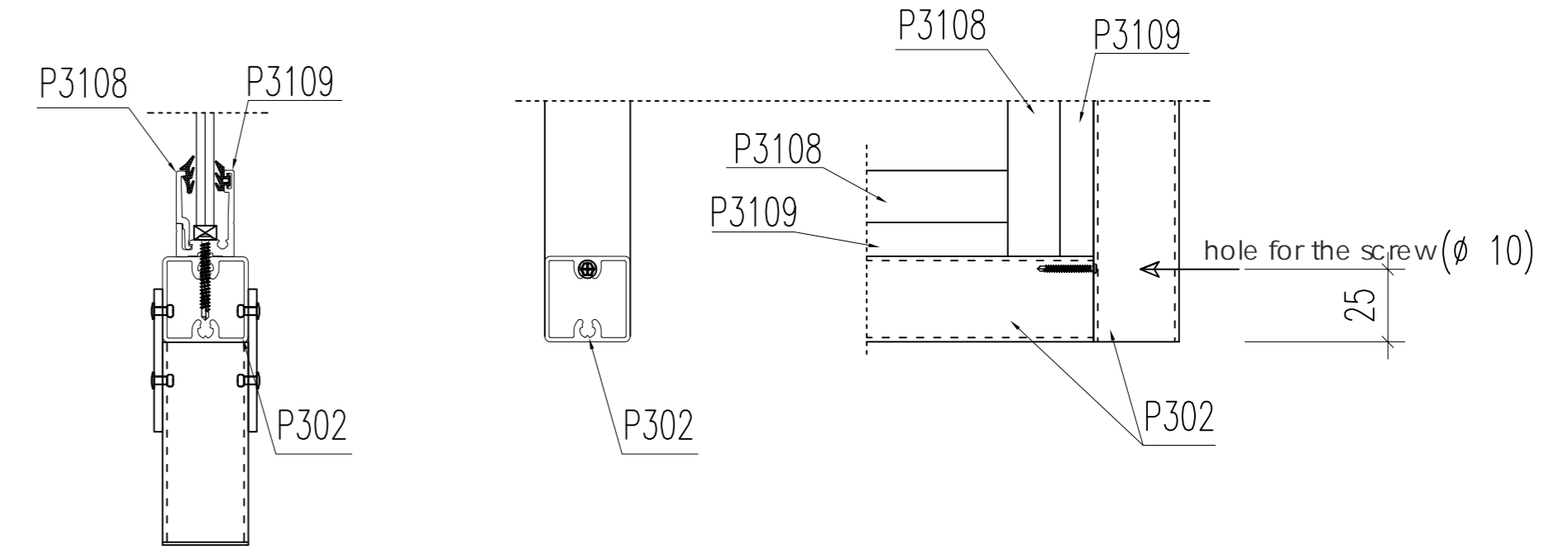
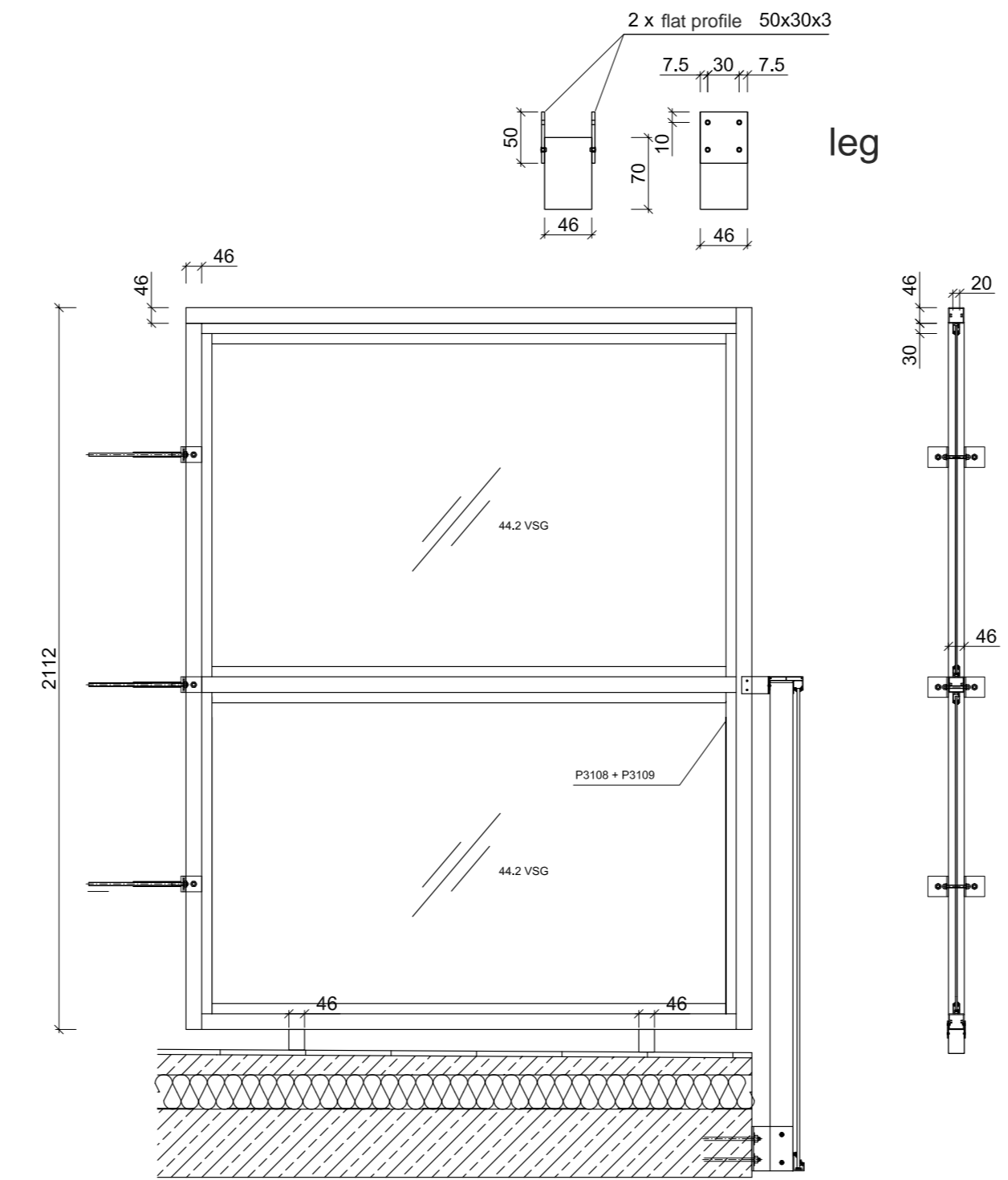
Example drawings of Copal balcony partitions - DWG



Production list					
no	symbol	description	length (mm) surface (m ²)	amount	total
1	P302	square profile as a frame	927	2	1854
2	P302	square profile as a frame	1624	1	1624
3	P302	square profile as a frame	1684	1	1684
4	P3108	click profile	1564	2	3128
5	P3109	U profile	1564	2	3128
6	E110	gasket	5 mb	1	5
7	E115	gasket	5 mb	1	5
8	P3108	click profile	897	2	1794
9	P3109	U profile	897	1	1794
10	E3521	glasspad	-	2	3
11	znit/4x10	pop rivet 4x10 A2	-	20	25
12	leg nr 1	-	-	1	1
13	leg nr 2	-	-	1	1
14	L 80x50x3x50	angle profile with balustrade handle profile	-	2	4
15	E305	tapping screw	-	20	25
16	E309	tapping screw	-	4	6
17	plug	PVC plug for leg (grey)	-	2	2



balcony 1



- Assembly sequence:
1. Frame made of P302 profiles (Screw-in assembly, one piece per corner. Mount in the guide inside the profiles).
 2. Attach P3109 to P312 using screws. First vertical profiles.
 3. Adjust the height of the legs. Fold them with rivets, and blind them from underneath using plugs.
 4. Set and rivet the frame to the legs.
 5. Fix the frame with the rivets to the balustrade handle profile using the angle bracket 80x50x3x50.
 6. Glazing and sealing.

Those drawings are owned by Copal LTD Company - all rights reserved.
 Reproduction and copying are permitted only with the written consent of the rights holder.

Scale: Date: 04.2017 Drawn: E.Ktos

COPAL Balcony partition example

Drawing number: EK28042017
 Replaces: