



Technical data sheet
Frameless sliding system
Copal System 5

Content

- 1. COPAL SYSTEM 5 FRAMELESS SLIDING SYSTEM
- 2. MEASURING METHOD FOR COPAL SYSTEM 5
- 3. POSSIBLE LAYOUTS OF PANELS FOR THE COPAL 5 SYSTEM
- 4. MODEL PRESENTATION WITH DETAILS

- 1
- 1
- 2
- 3

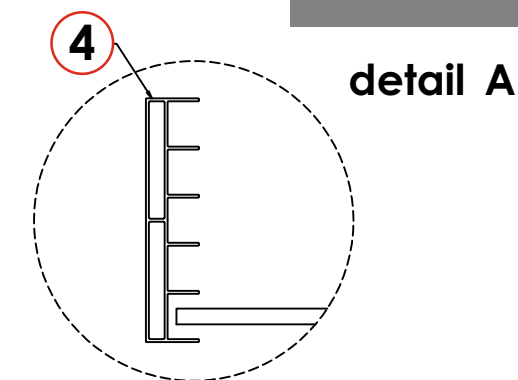
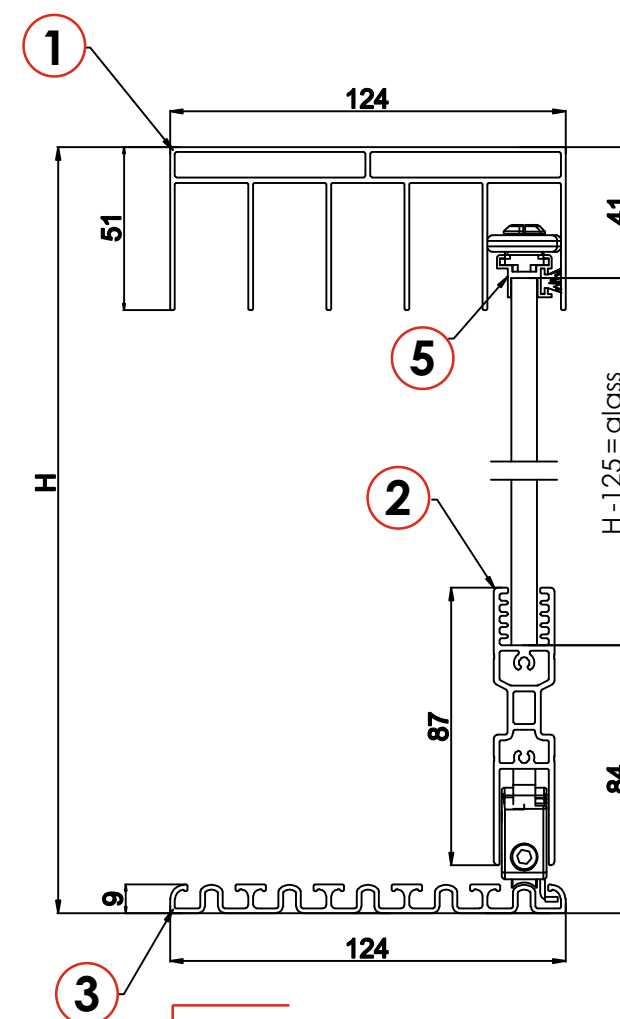
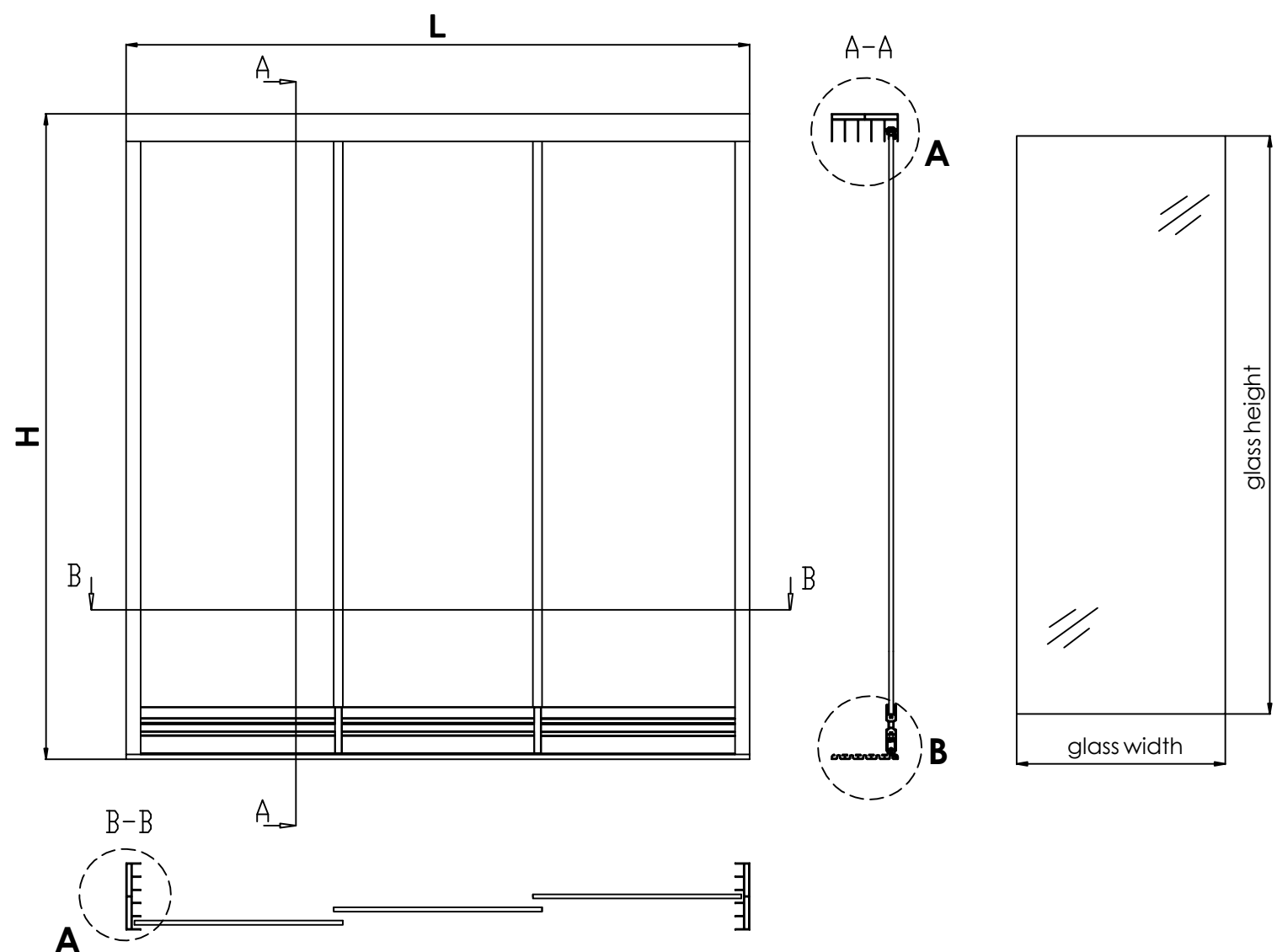


ECOLOGY, SAFETY, QUALITY

AT ITS HIGHEST LEVEL

COPAL-BALCONY.COM

1. COPAL SYSTEM 5 FRAMELESS SLIDING SYSTEM



GENERAL INFORMATIONS

- Maximum panel width: 1000 mm
- Maximum enclosure height: 2700mm
- Maximum number of panels: 10 szt.
- ESG glass #10mm
- Bottom rail to be glued to flat and level substructure
- Bottom rail without drainage
- One-sided knobs as an option
- PVC gaskets as an option

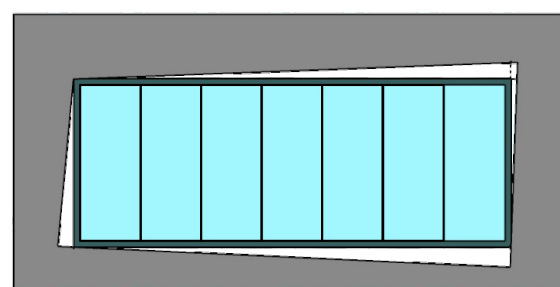
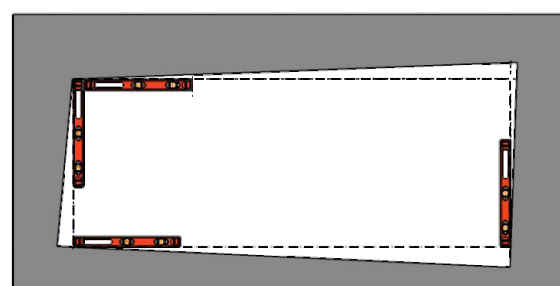
List of profiles

- | | |
|----------------------------|--------|
| 1 - Upper rail | PB6102 |
| 2 - Bottom glazing profile | PB6110 |
| 3 - Bottom rail | PB6101 |
| 4 - Side profile | PB6103 |
| 5 - Upper glazing profile | PB6111 |



AH5 C0 Knob - silver
AH5 C35 Knob - black

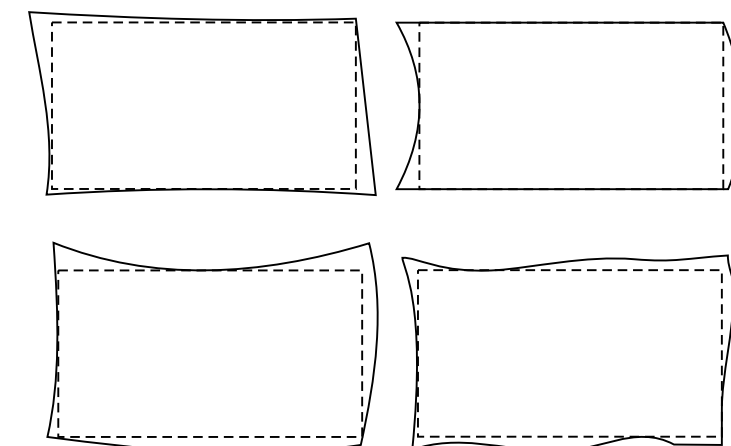
2. MEASURING METHOD FOR COPAL SYSTEM 5

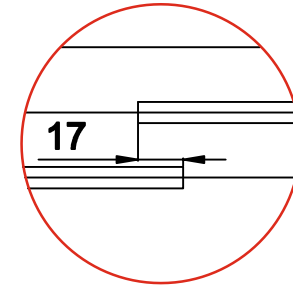
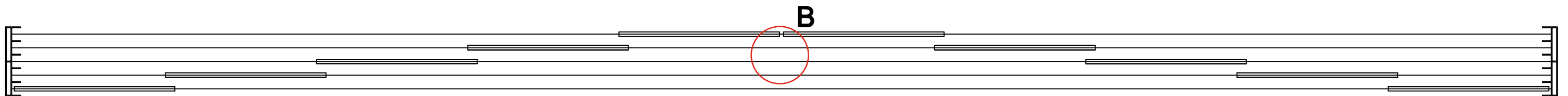
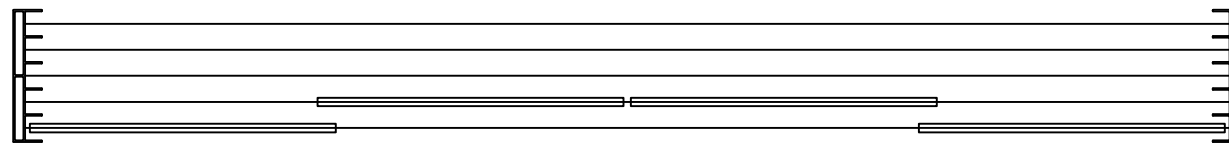
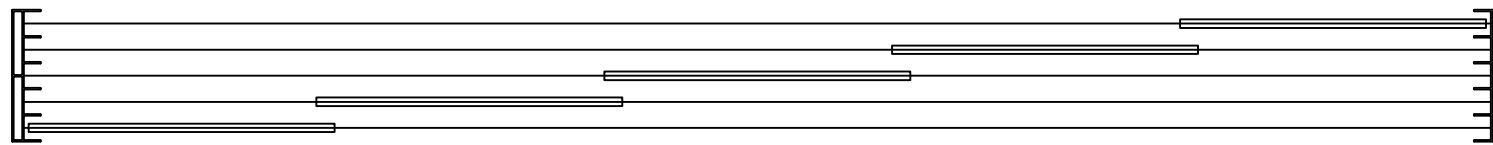
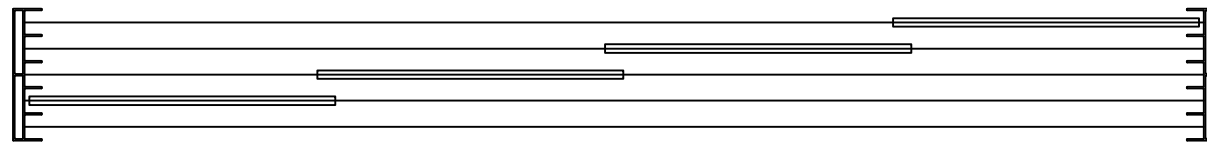
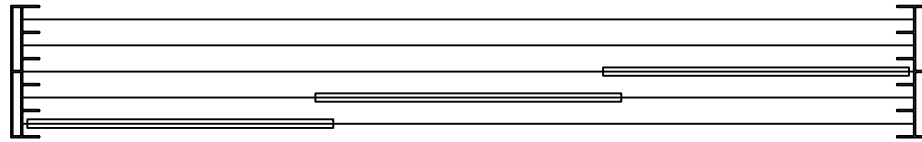
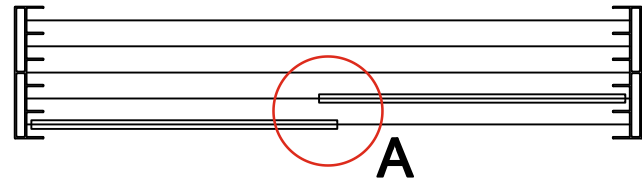
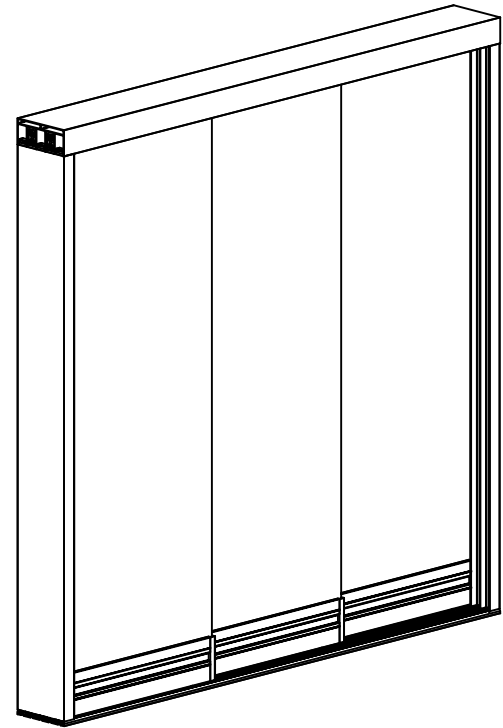


Balcony enclosure system is always installed in a rectangular space, horizontally and vertically, regardless of the shape of the balcony. When measuring the balcony, pay special attention to irregular shapes and unusual conditions, such as hanging ceiling, bent railing, inclined walls, etc.

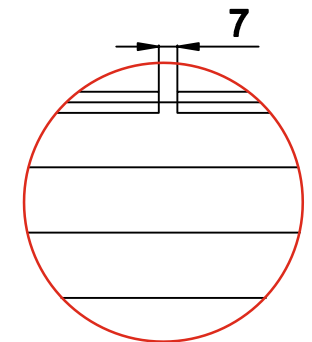
Always measure the balcony at several points vertically (balcony height) and horizontally (balcony length). To determine the height and length of the balcony, use only the smallest vertical and horizontal measurement. Include mounting clearances (depending on your experience), not less than 5 mm.

See the figure above how to measure the dimensions and a few examples of enclosures installed in balconies with irregular shapes.





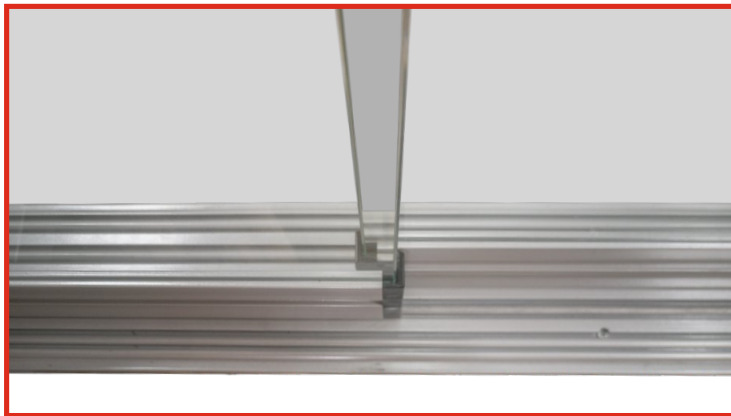
DETAIL A



DETAIL B

4. MODEL PRESENTATION WITH DETAILS

Video presenting the assembly of the Copal 5 is available on our YouTube channel



The frame is not a part of the glazing

