

# NEW UNIVERSAL SOLUTION



## partition walls and balcony partitions

The universal solution for partition walls and balcony partitions that can be successfully used as a substitute solution from P109 and P307 Copal constructions. Its additional advantage is the strip snap, which allows for quick and efficient installation or removal of the glass without the need to disassemble the entire frame.

The system can be applied either directly to the substructure as well as to the wooden or steel construction.

### Application:

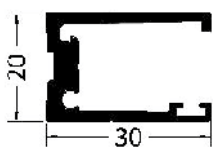
- office cubicles, shop boxes and cash desks
- partition walls and working place dividers
- room separations in production halls
- fixed shop windows, big or small, both framed and frameless
- fixed windows in the upper part of Copal serving hatches
- mounting strips for balustrade and balcony partition fillings
- mounting strips for fillings in other window systems
- rectangular or triangular rooflights
- machine casings
- cabins and kiosks

### Advantages:

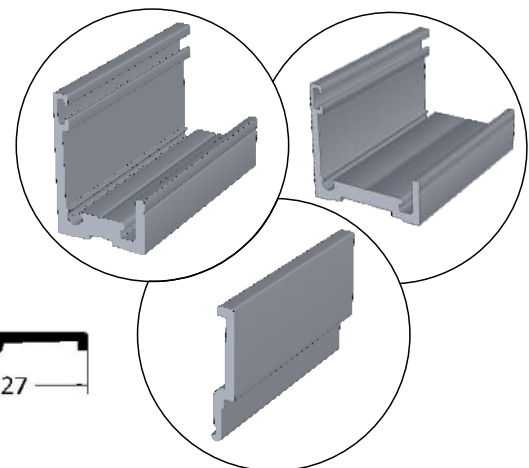
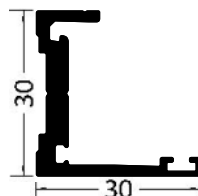
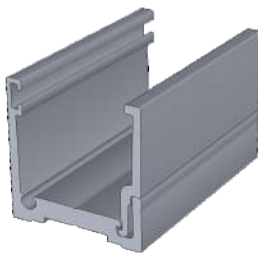
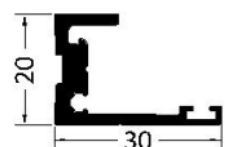
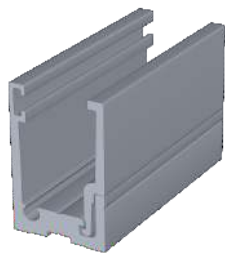
- Easy installation
- Fast filling replacement without the need to screw out the profiles and the whole window frame
- Possibility of integrating the set into a framework made of other system profiles or of placing it directly in a mounting hole
- Universal solution for both frame (with a frame surrounding the filling) and frameless partitions (only horizontal profiles with a system plug)

Our fixed systems of P3107 / P3108 + P3109 allow the use of fillings from 4 to 10 mm thick. Using the P3106 + P3108 profiles the glass thickness can vary from 16 to 20 mm.

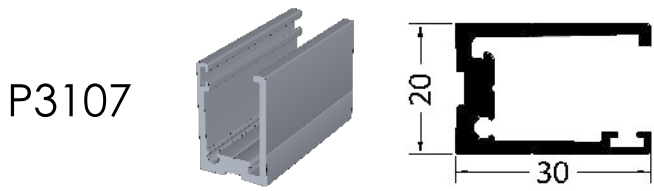
P3107



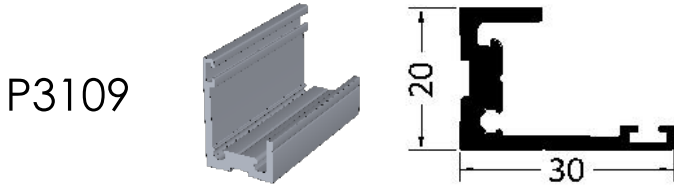
P3108 + P3109 (glass thickness - 4, 6, 8 i 10 mm)  
P3106 (glass thickness - 16, 18 i 20 mm)



# PROFILES AND ACCESSORIES



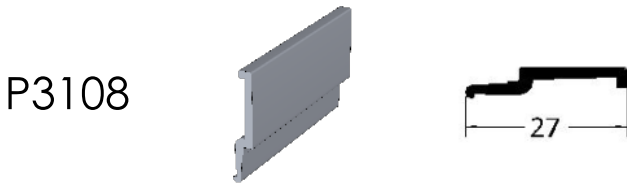
Profile for fixed windows



Profile for fixed windows  
(with closing profile P3109)



Wide profile for fixed windows  
(with closing profile P3109)



Closing profile for fixed window  
profiles P3109 and P3106

E110 gasket



E114 gasket



E115 gasket



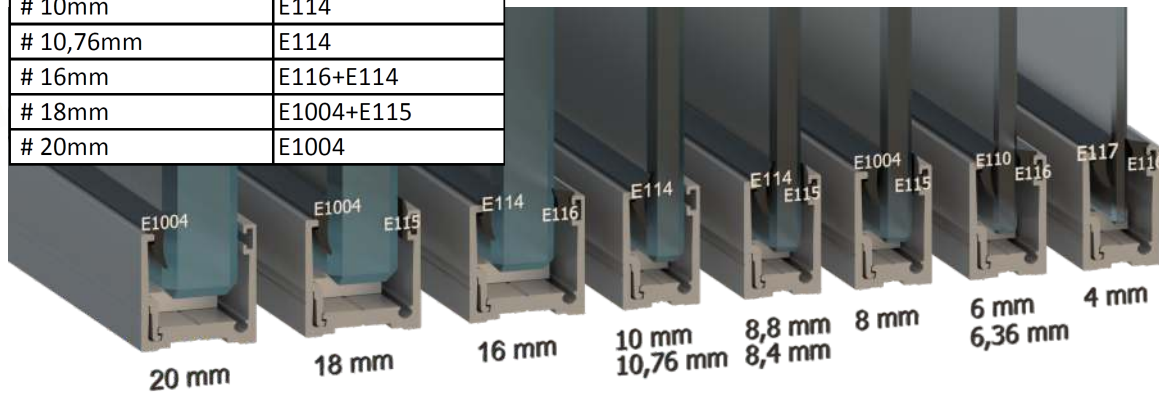
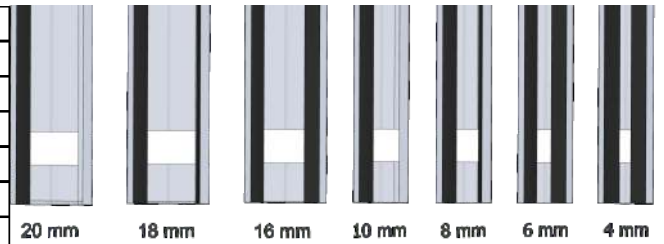
E116 gasket



E117 gasket



Thickness	Gasket
# 4mm	E116+E117
# 6mm	E116+E110
# 6,36mm	E116+E110
# 8mm	E115 + E1004
# 8,4mm	E115+E114
# 8,8mm	E115+E114
# 10mm	E114
# 10,76mm	E114
# 16mm	E116+E114
# 18mm	E1004+E115
# 20mm	E1004



E815  
E816



Aluminium cover for P3107 and P3109 - E815 and P3106 - E816 (Raw)

E3027



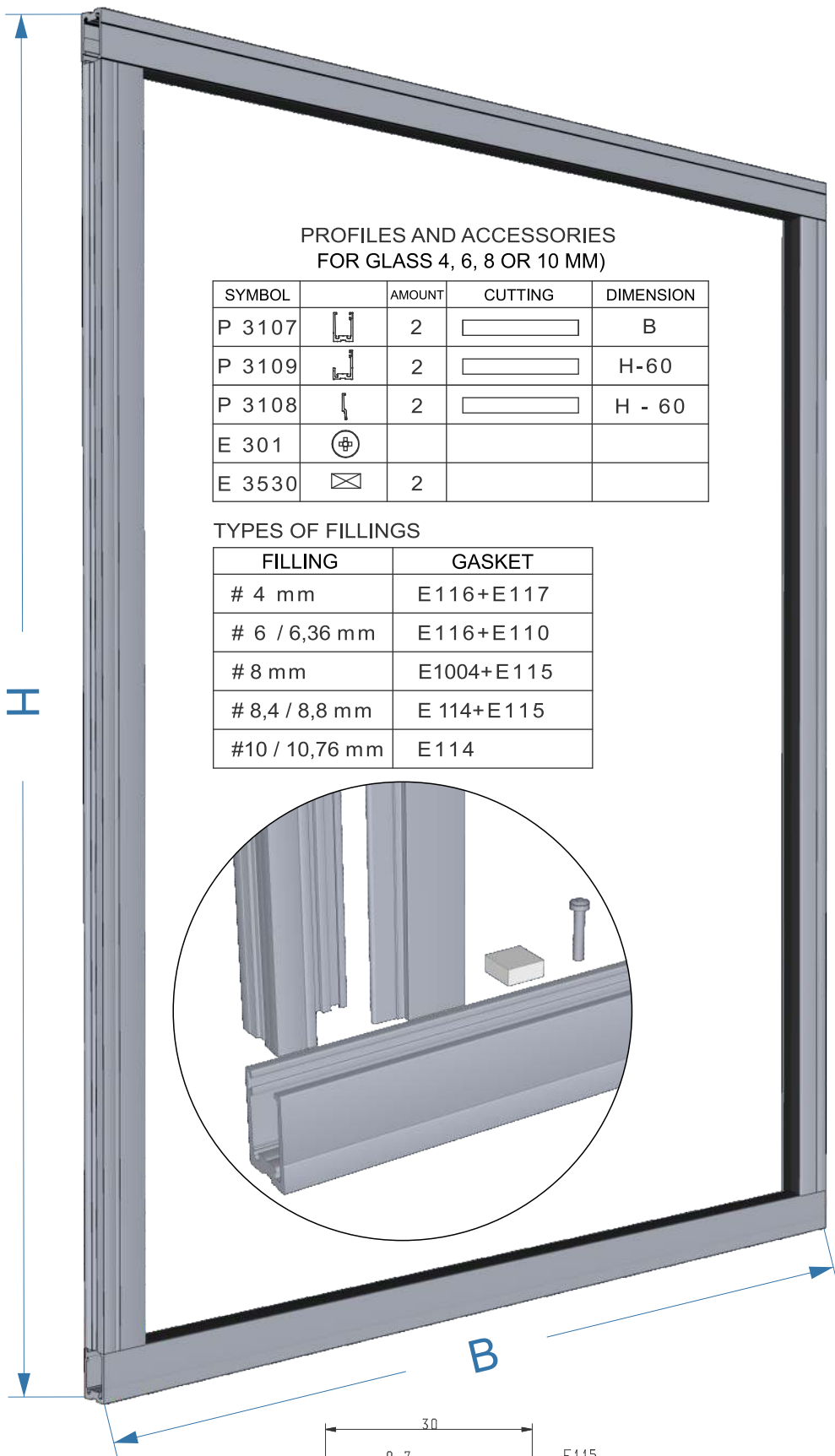
Aluminium rivet 3x10 for E815 and E816

E3528  
E3530  
E3534



Glass pad for P3107 (E3530 - 15 mm), P3109 (E3528 - 5mm) ,  
P3106 (E3534 - 20 mm)

# Example solution 1

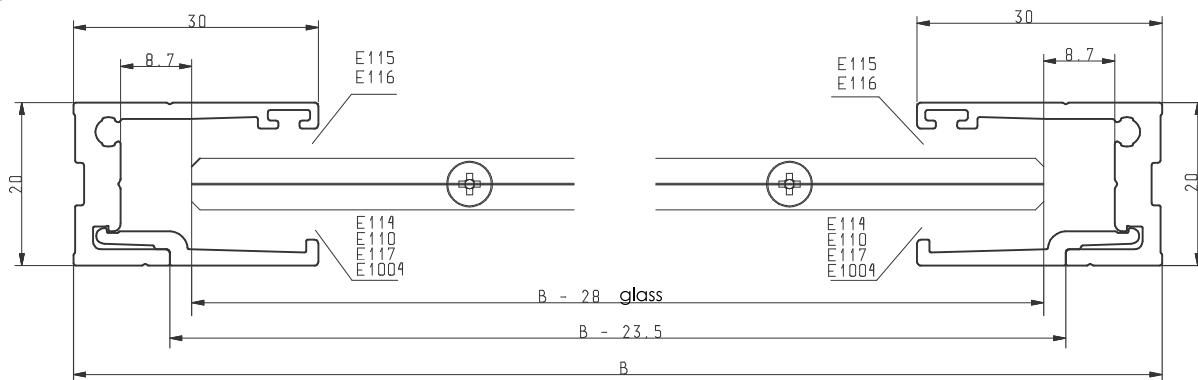
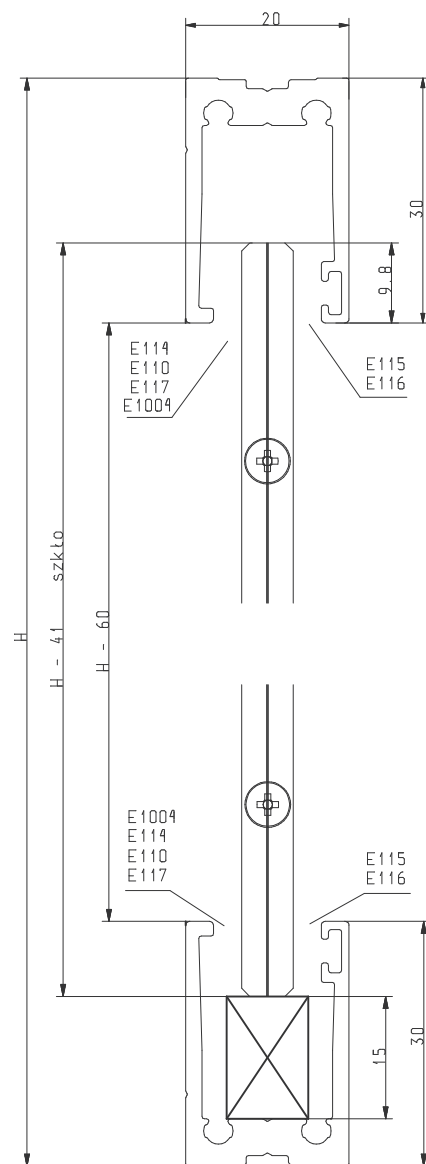
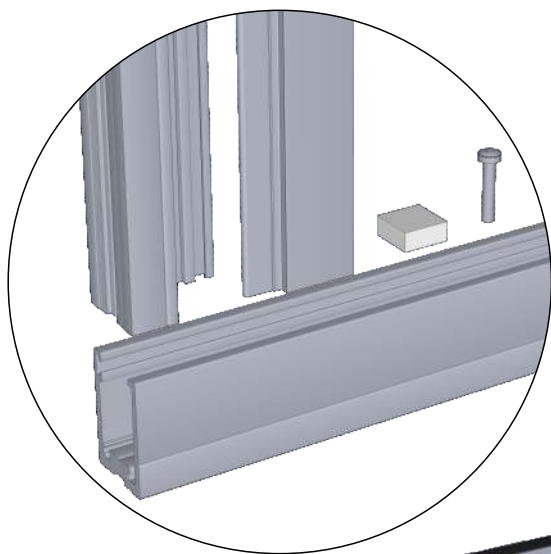


## PROFILES AND ACCESSORIES FOR GLASS 4, 6, 8 OR 10 MM)

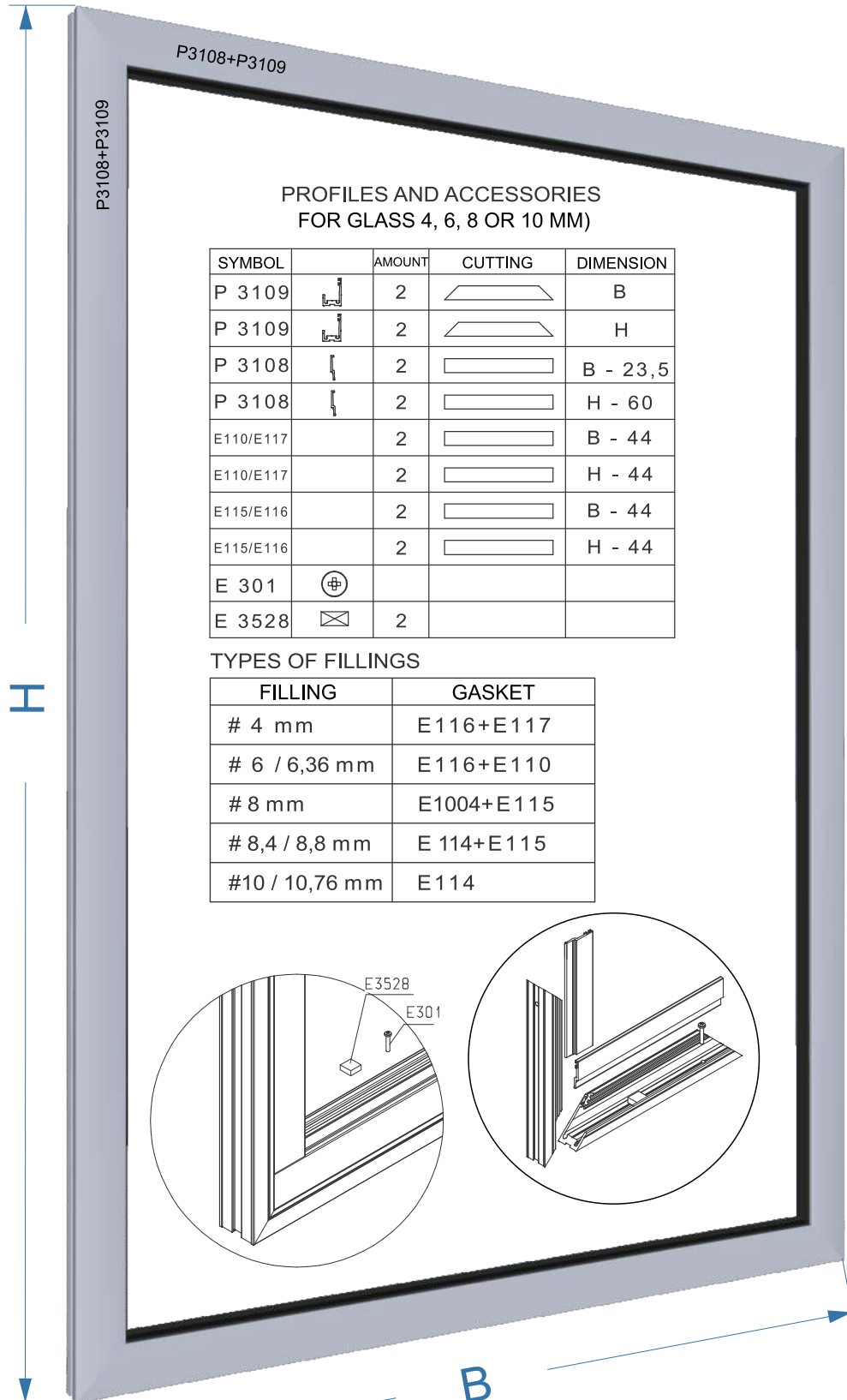
SYMBOL		AMOUNT	CUTTING	DIMENSION
P 3107		2		B
P 3109		2		H-60
P 3108		2		H - 60
E 301				
E 3530		2		

## TYPES OF FILLINGS

FILLING	GASKET
# 4 mm	E 116+E 117
# 6 / 6,36 mm	E 116+E 110
# 8 mm	E 1004+E 115
# 8,4 / 8,8 mm	E 114+E 115
#10 / 10,76 mm	E 114



# Example solution 2

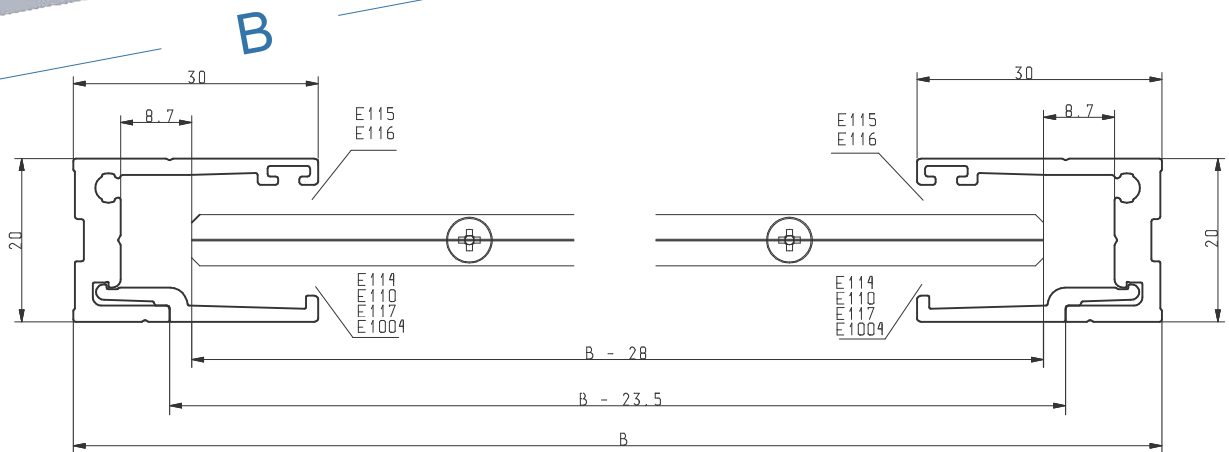
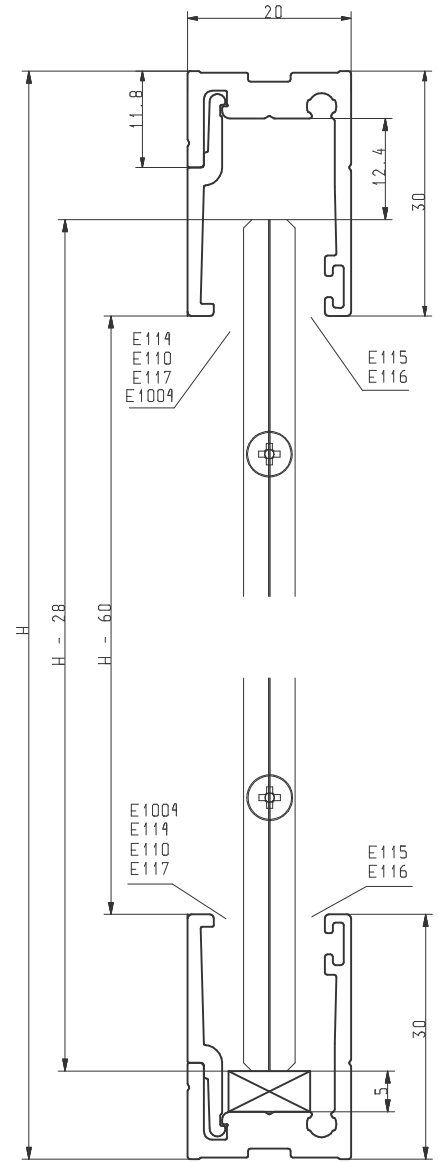
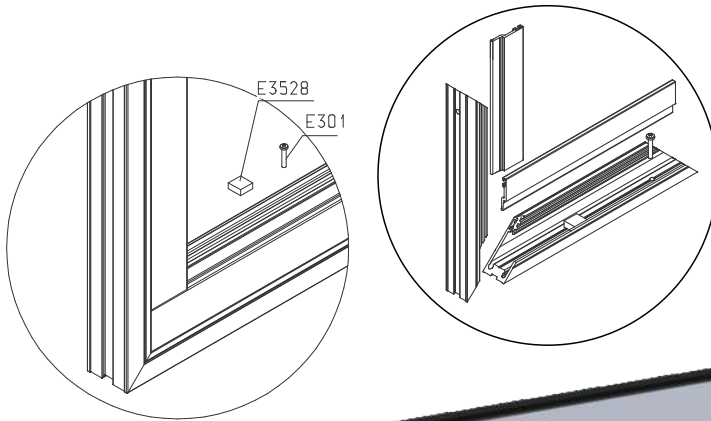


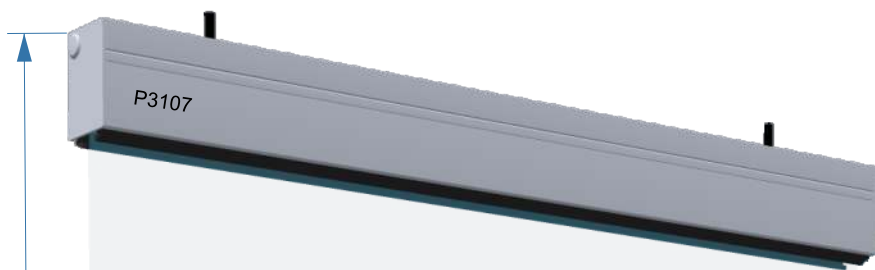
## PROFILES AND ACCESSORIES FOR GLASS 4, 6, 8 OR 10 MM)

SYMBOL		AMOUNT	CUTTING	DIMENSION
P 3109		2		B
P 3109		2		H
P 3108		2		B - 23,5
P 3108		2		H - 60
E110/E117		2		B - 44
E110/E117		2		H - 44
E115/E116		2		B - 44
E115/E116		2		H - 44
E 301				
E 3528		2		

### TYPES OF FILLINGS

FILLING	GASKET
# 4 mm	E116+E117
# 6 / 6,36 mm	E116+E110
# 8 mm	E1004+E115
# 8,4 / 8,8 mm	E 114+E115
#10 / 10,76 mm	E114



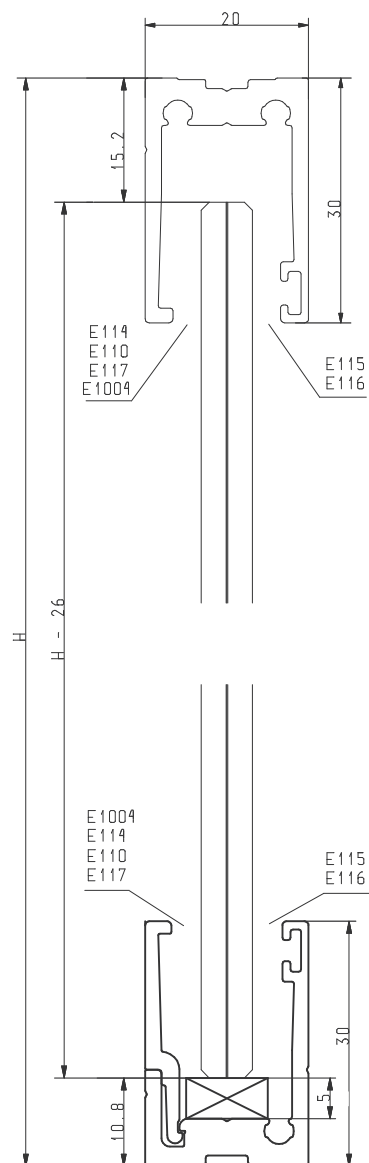


### PROFILES AND ACCESSORIES FOR GLASS 4, 6, 8 OR 10 MM)

SYMBOL		AMOUNT	CUTTING	DIMENSION
P 3107		1		B
P 3109		1		B
P 3108		1		B
E110/E117		2		B
E110/E117		2		B
E115/E116		2		B
E115/E116		2		B
E 815				
Rivet 3x10				
E 301				
E 3528		2		

### TYPES OF FILLINGS

FILLING	GASKET
# 4 mm	E116+E117
# 6 / 6,36 mm	E116+E110
# 8 mm	E1004+E115
# 8,4 / 8,8 mm	E114+E115
#10 / 10,76 mm	E114



H

B

